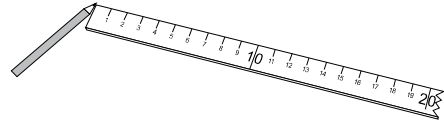


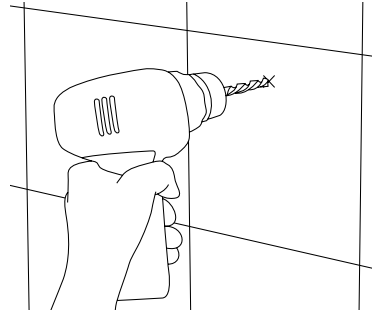
1

Measure



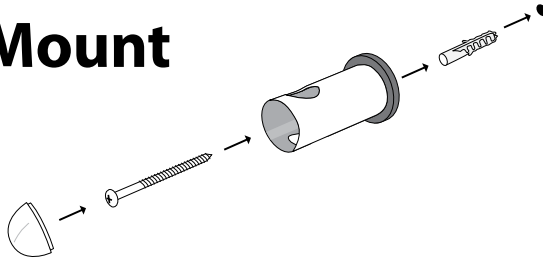
2

Drill

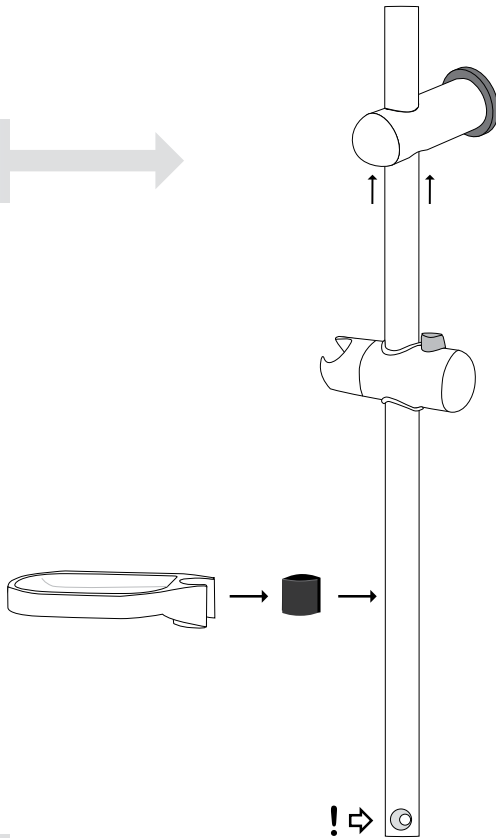


3

Mount



4



5

